

RainSelect

Thermostat for concealed installation for 2 functions with integrated shower holder

Surfaces: **White/Chrome** Article Number: **15355400**



Description

product features

- consists of: Thermostat, shower holder
- depending on volume flow and installation situation approx. 50% flow rate reduction and integrated shut off function
- 2 functions
- Select push-button on/off control for 2 outlets
- simultaneous use of several outlets
- maximum flow rate at 3 bar: 38 l/min
- flow rate per outlet: 26 l/min
- flow rate by simultaneous use of all outlets: 38 l/min
- thermostat cartridge, Start/stop valve to operate the functions
- safety lock at 40 °C
- temperature limitation adjustable
- non-return valve
- hose nut: for shower hoses with conical or cylindrical nut on both sides
- connection type: basic set
- min. operating pressure: 1 bar
- max. operating pressure: 10 bar
- Thermostat is delivered with buttons Rain large and hand shower

Technology



Design awards

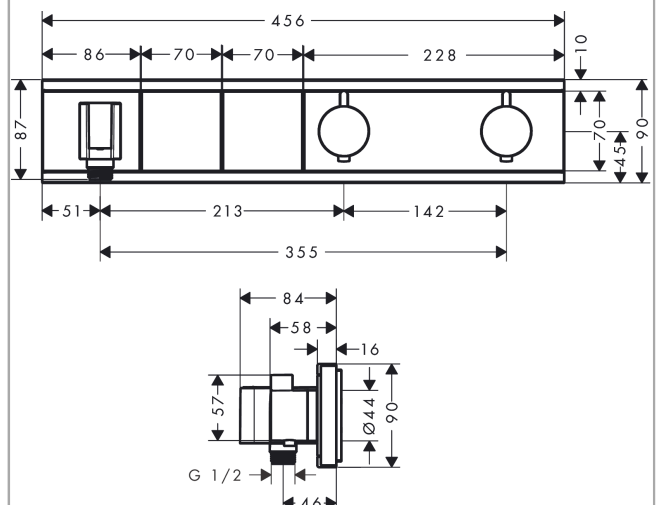


reddot award 2017
winner

Product image



Scale drawing



RainSelect

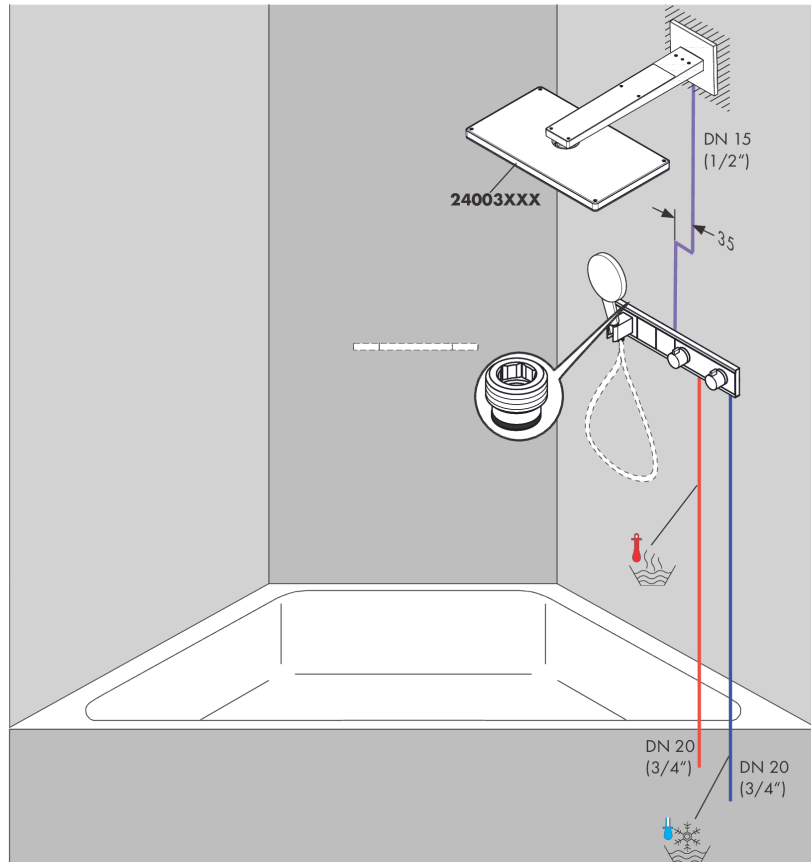
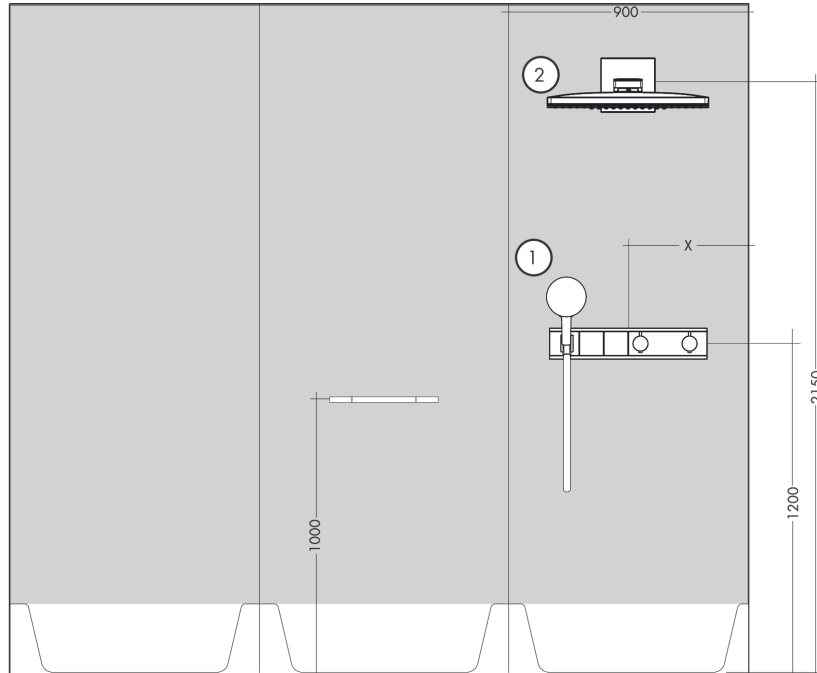
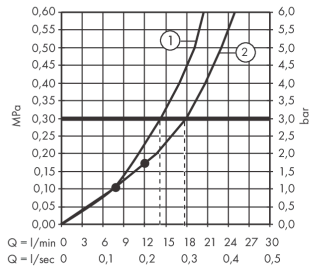
Thermostat for concealed installation for 2 functions with integrated shower holder

Surfaces: **White/Chrome** Article Number: **15355400**



Installation examples

RainSelect
1531018X / 15355XXX



RainSelect

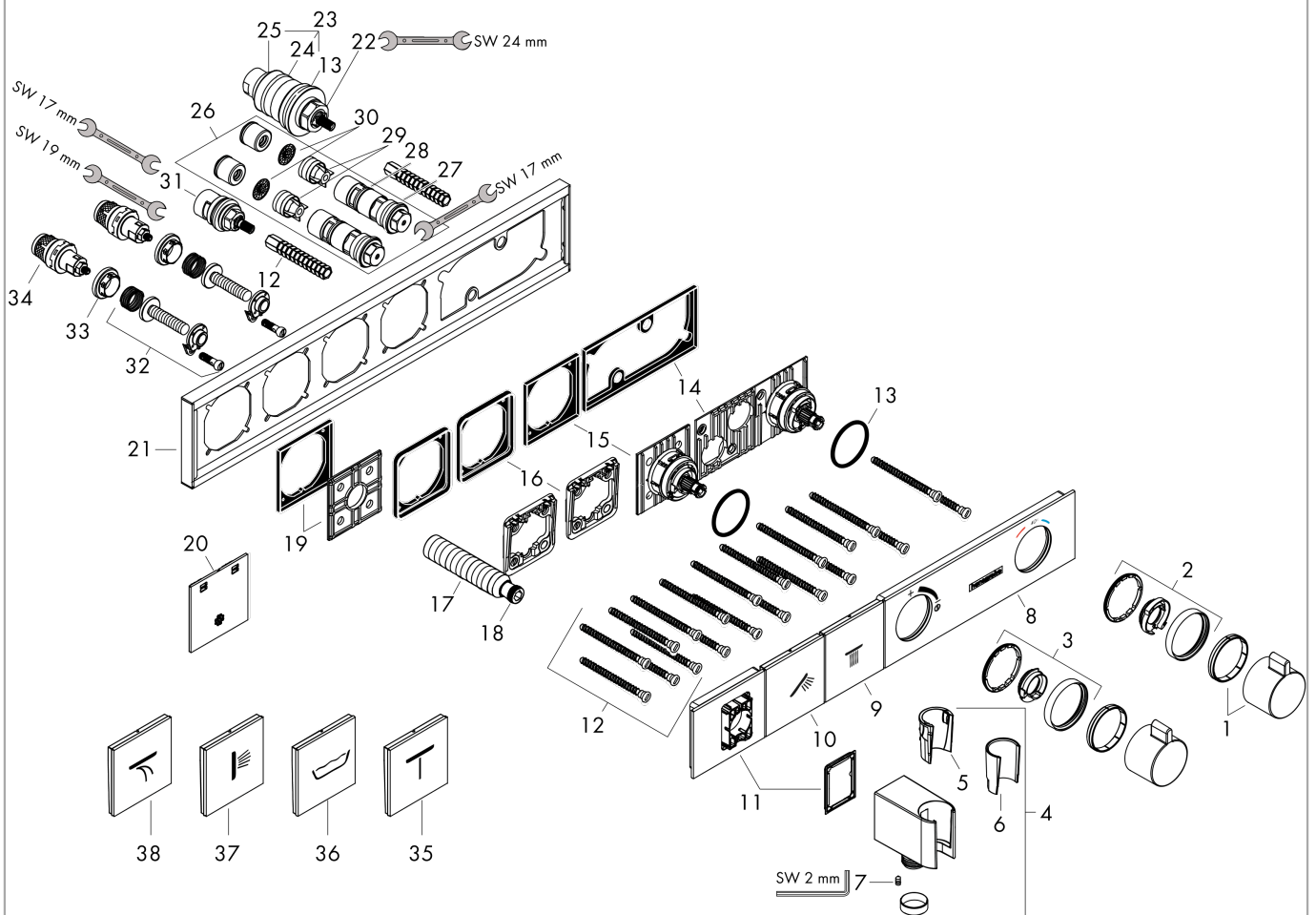
Thermostat for concealed installation for 2 functions with integrated shower holder

Surfaces: **White/Chrome** Article Number: **15355400**



Exploded Drawing

Year of production: >10/17



RainSelect

Thermostat for concealed installation for 2 functions with integrated shower holder

Surfaces: **White/Chrome** Article Number: **15355400**



Spare part list

Year of production: >10/17

| Pos. | Description | Article Number | Price | PU |
|------|-------------------------------|----------------|-------|----|
| 1 | handle for thermostat | 92215000 | - | 1 |
| 2 | safety set | 93112000 | - | 1 |
| 3 | safety set | 93113000 | - | 1 |
| 4 | shower holder, assy | 93114000 | - | 1 |
| 5 | guide (conical) | 94163000 | - | 1 |
| 6 | guide | 95531000 | - | 1 |
| 7 | hollow set screw M4x8 | 97669000 | - | 1 |
| 8 | cover | 93105450 | - | 1 |
| 9 | symbol head shower Rain large | 93107450 | - | 1 |
| 10 | symbol handshower | 93106450 | - | 1 |
| 11 | cover | 93108450 | - | 1 |
| 12 | mounting kit | 93102000 | - | 1 |
| 13 | O-ring 38x2,5 | 98198000 | - | 1 |
| 14 | adapter for handle | 93109000 | - | 1 |
| 15 | adapter for handle | 93315000 | - | 1 |
| 16 | support element | 93111000 | - | 1 |
| 17 | connecting thread G½ | 93830000 | - | 1 |
| 18 | O-ring 11x2 | 98127000 | - | 1 |
| 19 | support element | 93314000 | - | 1 |
| 20 | fit-up aid | 93417000 | - | 1 |
| 21 | escutcheon | 93104000 | - | 1 |
| 22 | thermostat cartridge | 96633000 | - | 1 |
| 23 | sealing set | 96636000 | - | 1 |
| 24 | O-ring 34x2 | 98383000 | - | 1 |
| 25 | O-ring 26x2 | 98147000 | - | 1 |
| 26 | service unit | 93406000 | - | 1 |
| 27 | O-ring 20x2 | 98165000 | - | 1 |
| 28 | O-ring 20x1,5 | 98197000 | - | 1 |
| 29 | non return valve | 96655000 | - | 1 |
| 30 | filter | 97367000 | - | 1 |
| 31 | shut off unit | 98536000 | - | 1 |
| 32 | Select-adapter | 93103000 | - | 1 |
| 33 | nut | 98368000 | - | 1 |
| 34 | shut off unit | 95758000 | - | 1 |
| 35 | symbol Mono | 93306450 | - | 1 |
| 36 | symbol tub | 93303450 | - | 1 |
| 37 | symbol body shower | 93304450 | - | 1 |
| 38 | symbol Flood jet | 93305450 | - | 1 |
| a | concealed item | 15310180 | - | 1 |
| b | extension 25 mm | 93432000 | - | 1 |
| c | extension 16 mm | 93437000 | - | 1 |